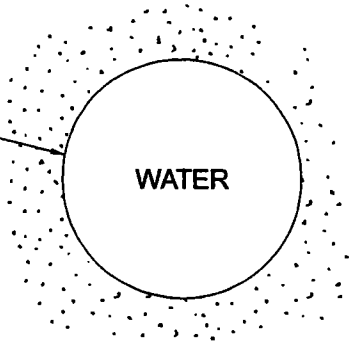
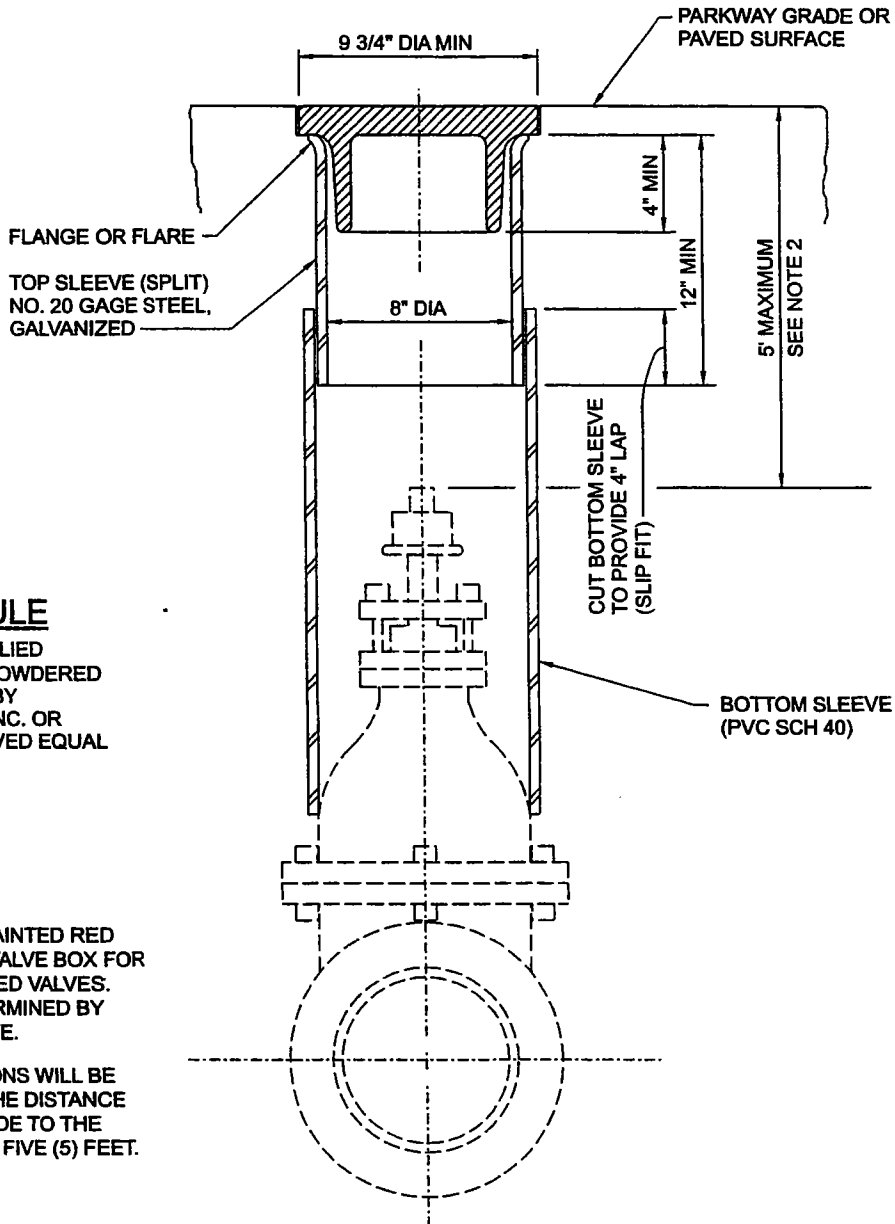


ADJUSTABLE VALVE BOX AND VALVE NUT EXTENSION

PROVIDE HEAVY DUTY CAST-IRON VALVE BOX CAP, MARKED AS INDICATED. PAINT PER SCHEDULE



WHEN VALVE BOX IS IN A DIRT AREA, CONTRACTOR TO CONSTRUCT 2' x 2' x 4" AC PAD AROUND VALVE CAN



**PAINT SCHEDULE**

BLUE: H.B. FULLER APPLIED BY THE FUSION POWDERED EPOXY METHOD BY FUSECOTE CO., INC. OR DISTRICT APPROVED EQUAL

**GENERAL NOTES:**

1. A REDWOOD 2" x 4" PAINTED RED IS TO BE PLACED IN VALVE BOX FOR ALL NORMALLY CLOSED VALVES. LENGTH TO BE DETERMINED BY DEPTH OF GATE VALVE.
2. VALVE NUT EXTENSIONS WILL BE REQUIRED WHERE THE DISTANCE FROM FINISHED GRADE TO THE VALVE NUT EXCEEDS FIVE (5) FEET.

NTS

LOS ANGELES COUNTY WATERWORKS DISTRICTS

DEPARTMENT OF PUBLIC WORKS

STANDARD PLAN

W-15

APPROVED

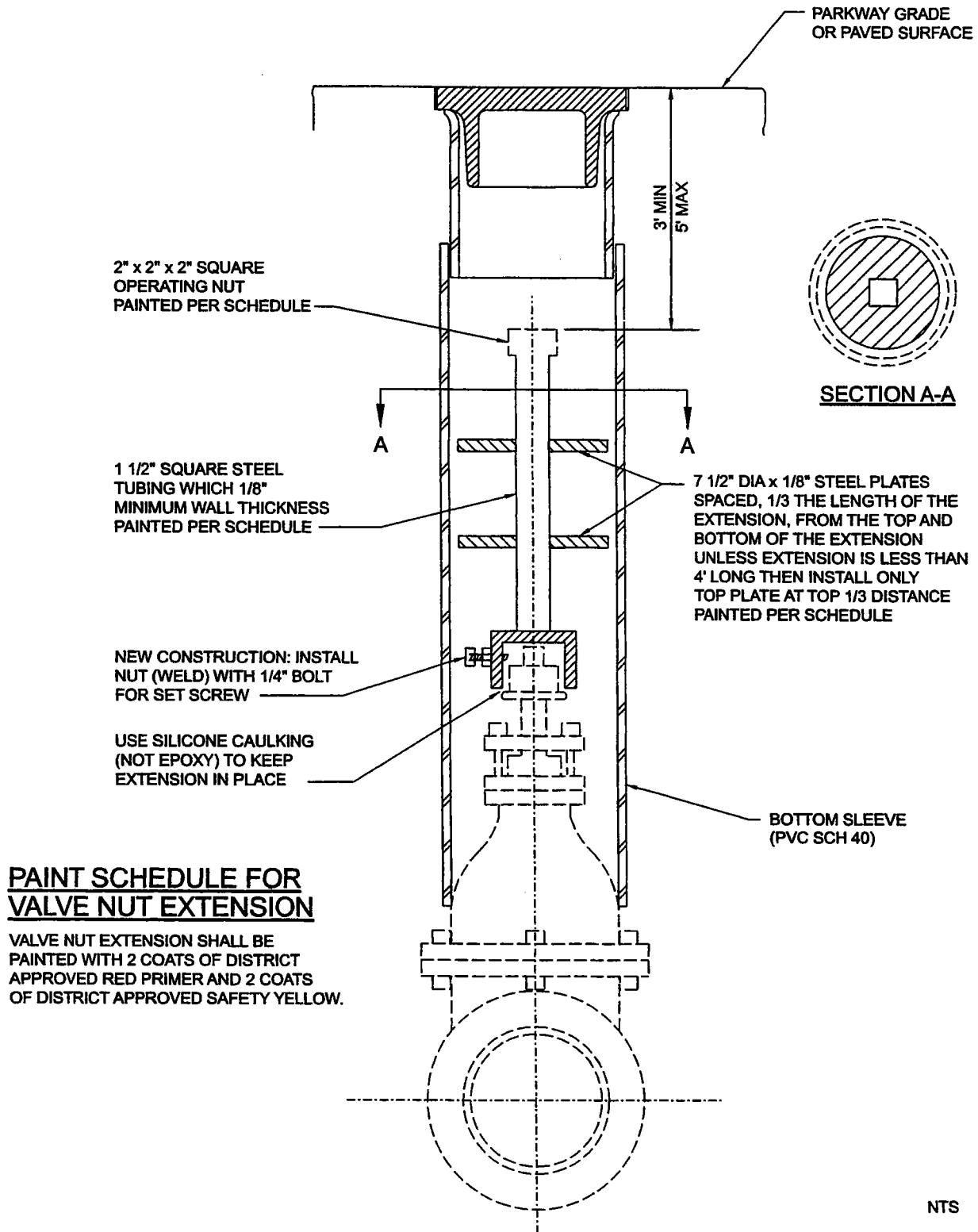
ASSISTANT DEPUTY DIRECTOR

APRIL 2004

DATE

SHEET 1 OF 2

ADJUSTABLE VALVE BOX AND VALVE NUT EXTENSION (CONTINUED)



LOS ANGELES COUNTY WATERWORKS DISTRICTS

DEPARTMENT OF PUBLIC WORKS

STANDARD PLAN

W-15

APPROVED

*Michael Reed*  
ASSISTANT DEPUTY DIRECTOR

APRIL 2004

DATE

SHEET 2 OF 2