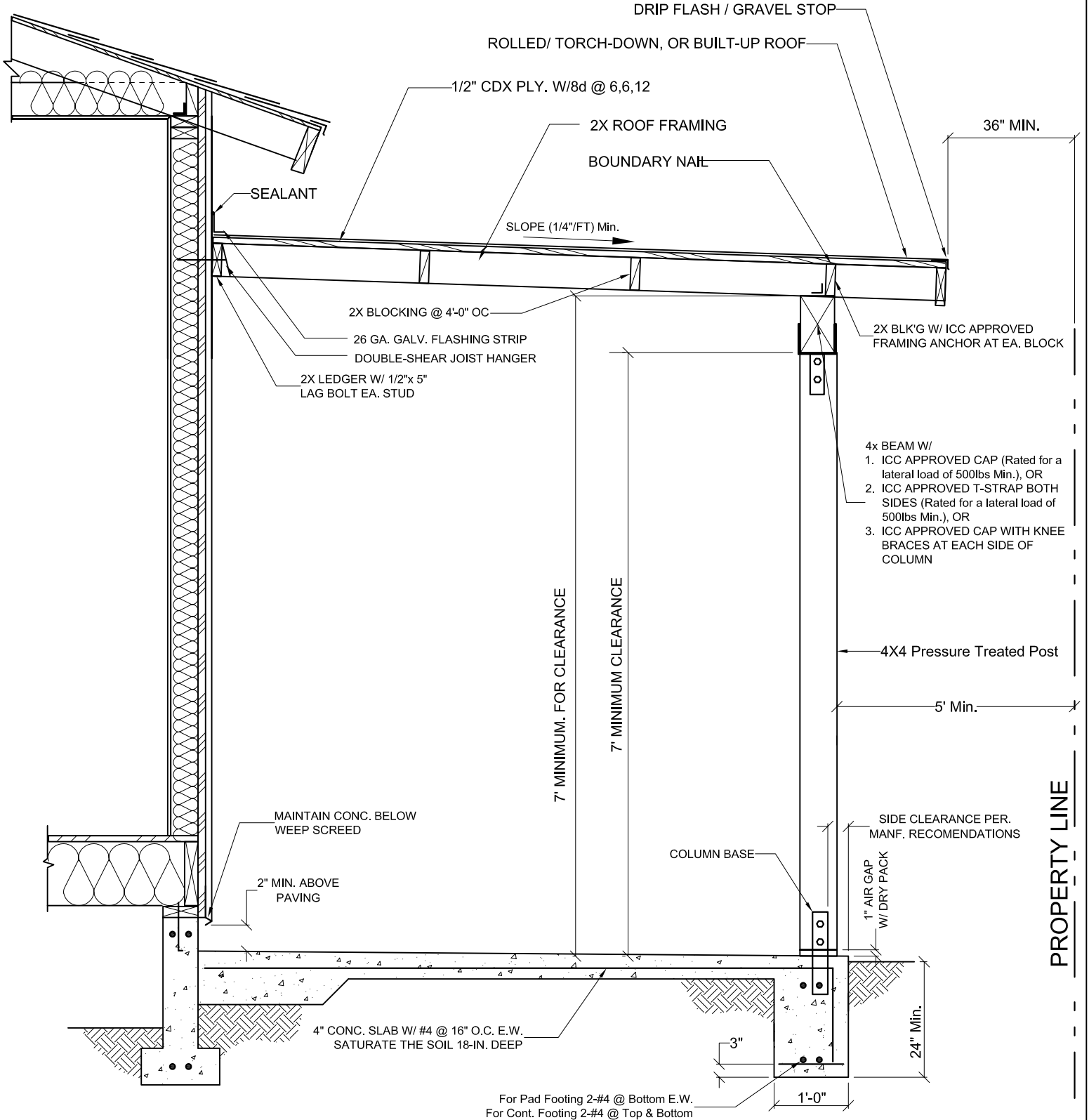
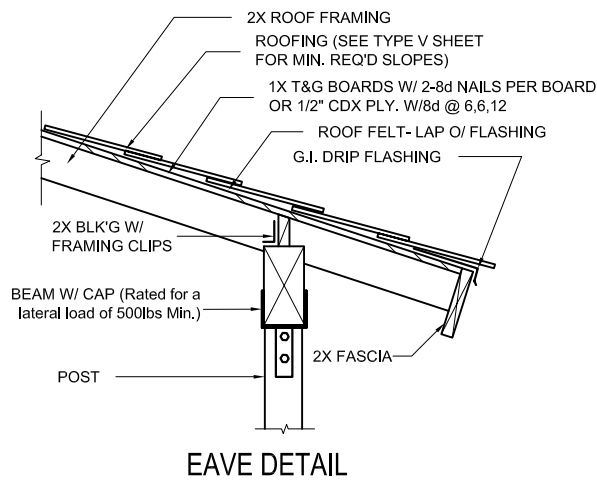


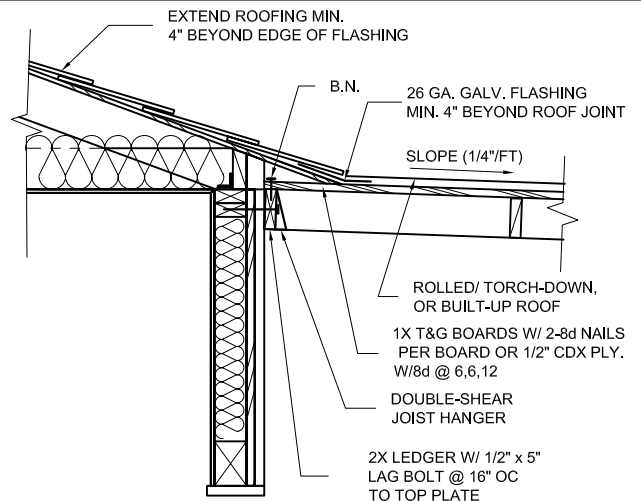
# 2008 LOS ANGELES COUNTY BUILDING CODE CARPORT

TYPE V CONSTRUCTION-WOOD FRAME RESIDENTIAL BUILDINGS  
(LACBC CHAPTER 23 SECTION 2308) ONE STORY CONSTRUCTION

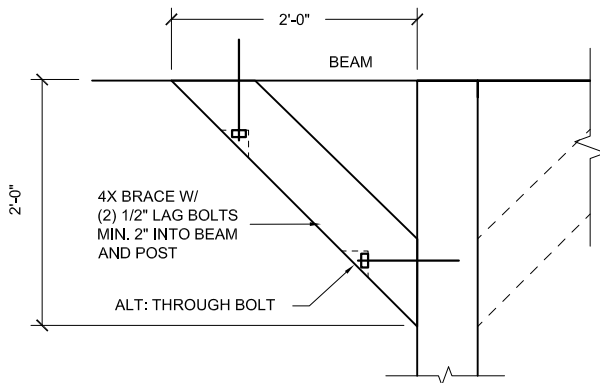




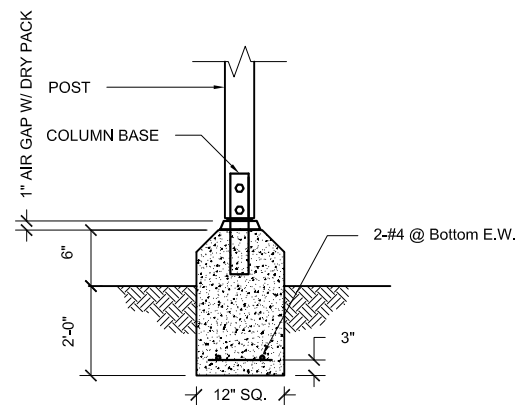
EAVE DETAIL



CONNECTION DETAIL



KNEE BRACE DETAIL



PAD FOOTING DETAIL

ALLOWABLE SPANS FOR DF #1 HEADERS	
Maximum span of tributary load 20'-0"	
SPAN	BEAM SIZE
Up to 4'-0"	4X4
4'-1" to 6'-0"	4X6
6'-1" to 8'-0"	4X8
8'-1" to 10'-10"	4X10
10'-0" to 12'-0"	4X12*

ALLOWABLE SPANS FOR DF #2 ROOF RAFTERS		
Light Dead Load (up to 15 psf)/ Max. Roofing Load: 6 psf (Asphalt Shingles)		
Live Load: 20 psf		
RAFTER SIZE	SPACING	ALLOWABLE SPAN
2X6	24"	10'-10"
	16"	13'-3"
	12"	14'-11"
2X8	24"	13'-0"
	16"	16'-11"
	12"	15'-6"
2X10	24"	16'-11"
	16"	20'-9"
	12"	23'-11"
2X12	24"	19'-7"
	16"	24'-0"
	12"	25'-0"

ALLOWABLE SPANS FOR DF #2 CEILING JOISTS		
Dead Load 5 psf/ Live Load 10 psf		
JOIST SIZE	SPACING	ALLOWABLE SPAN
2X4	24"	9'-10"
	16"	11'-13"
	12"	12'-5"
2X6	24"	14'-10"
	16"	17'-8"
	12"	19'-6"
2X8	24"	18'-9"
	16"	23'-0"
	12"	25'-8"
2X10	24"	22'-11"
	16"	26'-0"
	12"	26'-0"

\* 4X12 DF No. 1 may be used for a 16'-0" garage opening in one-story patio or carport structures.

Type V Construction is a classification of buildings by construction materials and methods. It is the least restrictive permitted by the Los Angeles County Building Code and includes light wood-frame construction. This sheet is for information and reference only and is not a substitute for accurate drawings prepared for the proposed construction project.