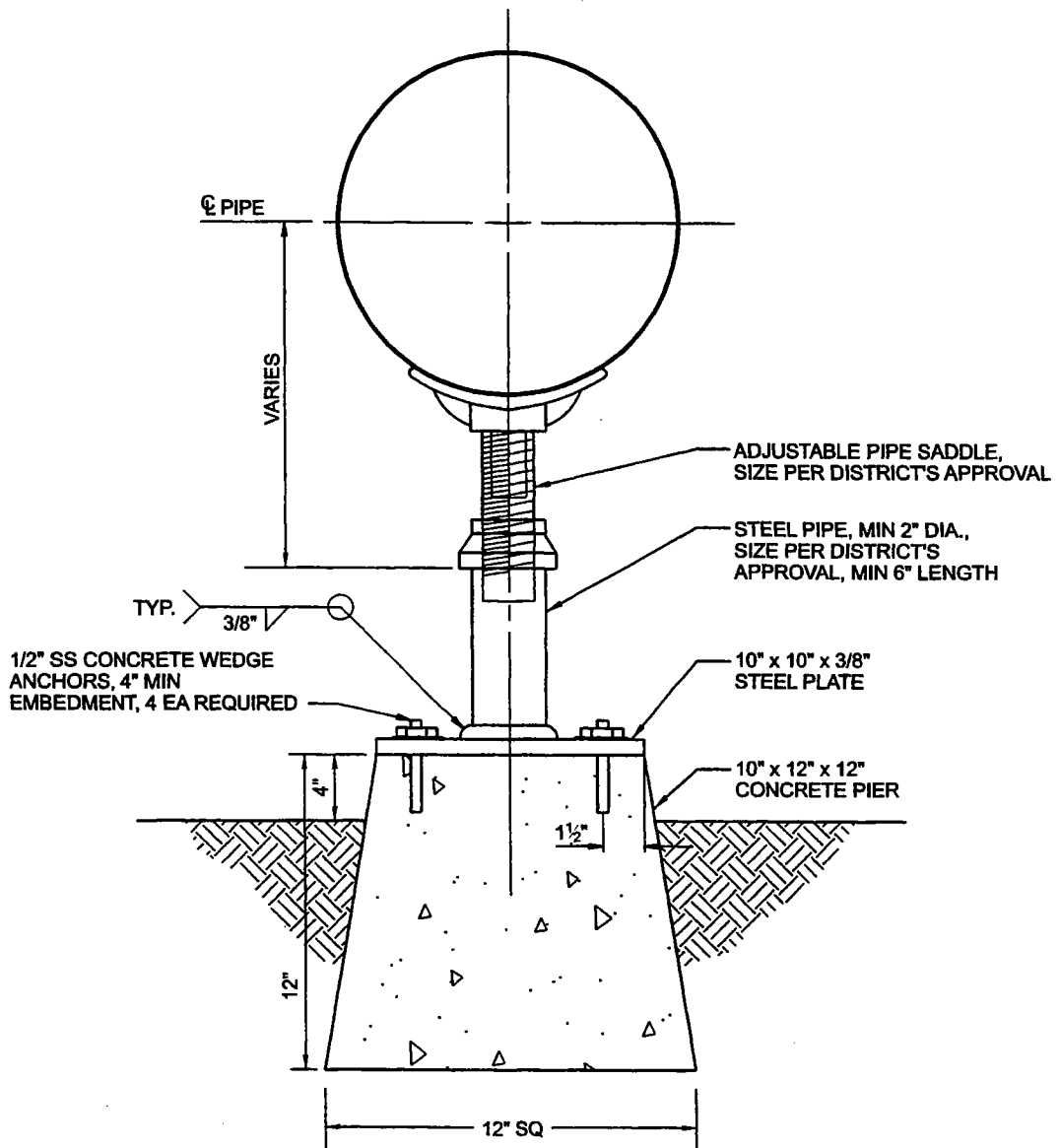


ADJUSTABLE PIPE SUPPORT



GENERAL NOTES:

1. IF THE SUPPORT IS MOUNTED ON CONCRETE SLAB OR FLOOR, THE PIER IS NOT REQUIRED.
2. ALL EXPOSED METAL SURFACES SHALL BE PROTECTED IN ACCORDANCE WITH THE SPECIFICATIONS, EXCEPT THE THREADS.

NTS

LOS ANGELES COUNTY WATERWORKS DISTRICTS

DEPARTMENT OF PUBLIC WORKS

STANDARD PLAN

W-17

APPROVED

Mark Keat
ASSISTANT DEPUTY DIRECTOR

APRIL 2004

DATE

SHEET 1 OF 1