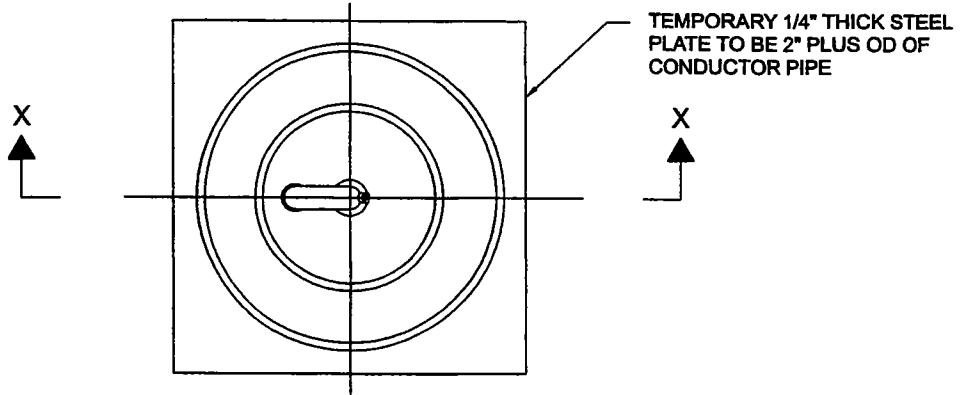
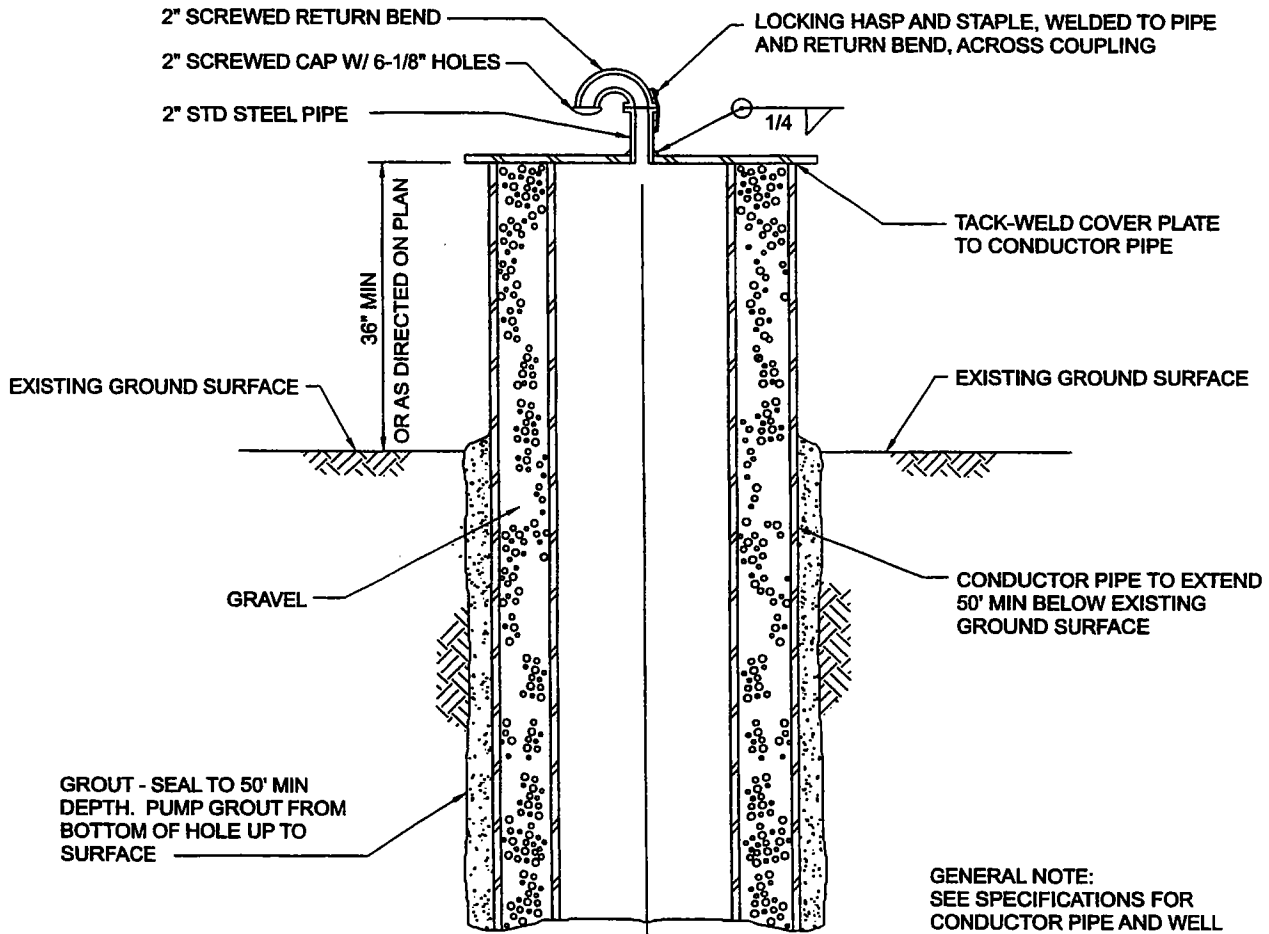


GRAVEL ENVELOPE WELL HEAD



PLAN
NTS



SECTION X-X
NTS

GENERAL NOTE:
SEE SPECIFICATIONS FOR
CONDUCTOR PIPE AND WELL
CASING DETAILS.

LOS ANGELES COUNTY WATERWORKS DISTRICTS

DEPARTMENT OF PUBLIC WORKS

STANDARD PLAN

W-19

APPROVED

Mark Keel
ASSISTANT DEPUTY DIRECTOR

APRIL 2004

DATE

SHEET 1 OF 1