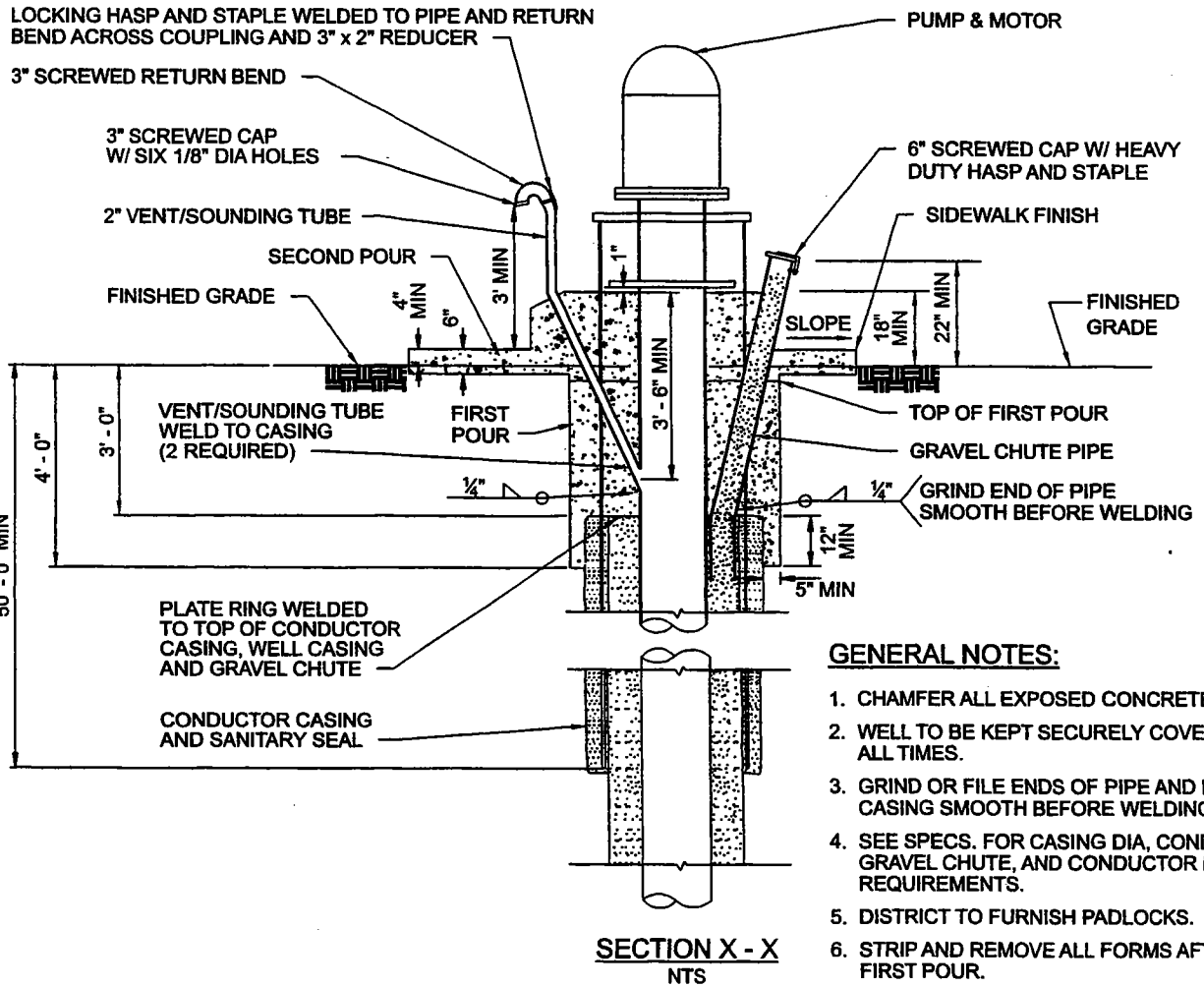
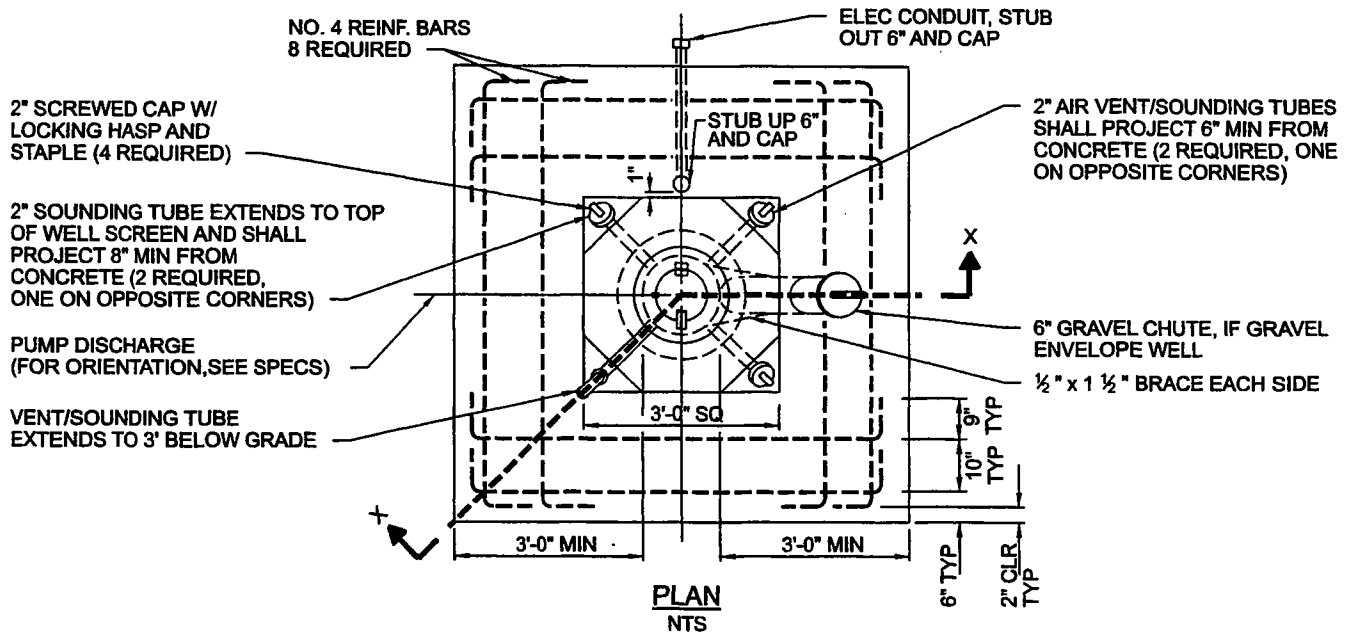


WELL SLAB AND PEDESTAL



- GENERAL NOTES:**
1. CHAMFER ALL EXPOSED CONCRETE CORNERS.
 2. WELL TO BE KEPT SECURELY COVERED AT ALL TIMES.
 3. GRIND OR FILE ENDS OF PIPE AND HOLES IN CASING SMOOTH BEFORE WELDING.
 4. SEE SPECS. FOR CASING DIA, CONDUIT, GRAVEL CHUTE, AND CONDUCTOR PIPE REQUIREMENTS.
 5. DISTRICT TO FURNISH PADLOCKS.
 6. STRIP AND REMOVE ALL FORMS AFTER FIRST POUR.

LOS ANGELES COUNTY WATERWORKS DISTRICTS

DEPARTMENT OF PUBLIC WORKS

STANDARD PLAN

W-20

APPROVED

[Signature]
ASSISTANT DEPUTY DIRECTOR

APRIL 2004

DATE

SHEET 1 OF 1