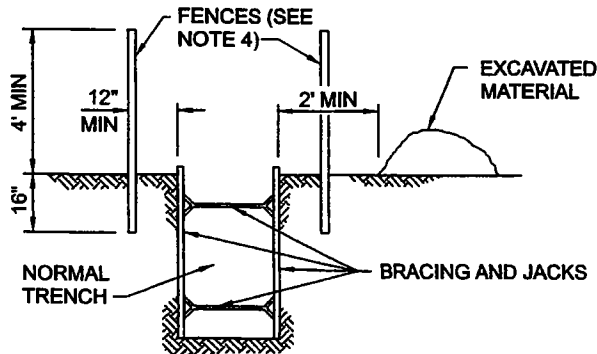


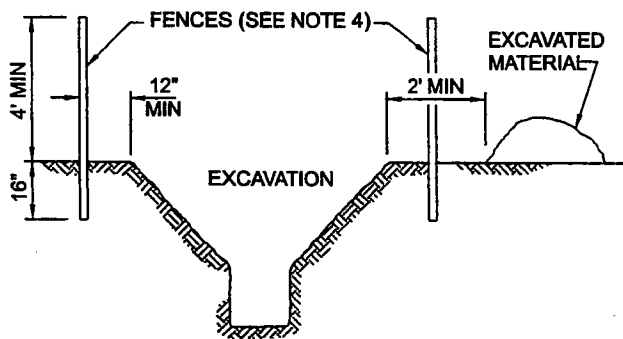
MINIMUM PUBLIC SAFETY REQUIREMENTS

PRIOR TO THE END OF EACH WORK DAY, THE CONTRACTOR SHALL EITHER BACKFILL THE TRENCH OR ERECT AND MAINTAIN FENCES OR COVERS. THE FOLLOWING ARE MINIMUM ACCEPTABLE MEASURES ONLY, AND COMPLIANCE WITH THIS STANDARD DOES NOT RELIEVE THE CONTRACTOR OF HIS OBLIGATION TO PROTECT THE PUBLIC BY ALL NECESSARY MEANS.

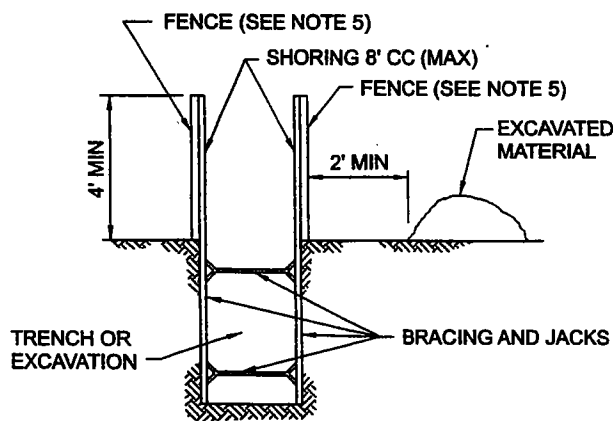
I. FENCES



CASE A
NTS

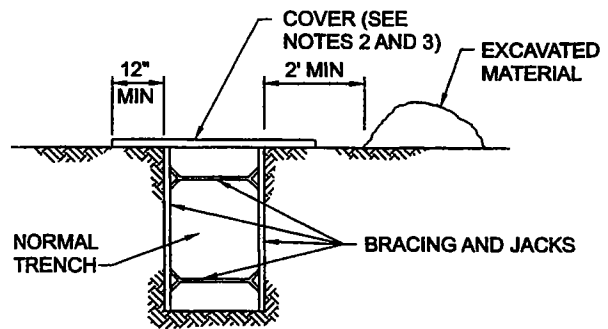


CASE B
NTS



CASE C
NTS

II. COVER



GENERAL NOTES:

1. EXCEPTIONS: FENCES OR COVERS WILL BE OPTIONAL WITH THE CONTRACTOR IF THE EXCAVATION IS EITHER:
 - a. LESS THAN 3 FEET DEEP.
 - b. LESS THAN 5 FEET DEEP WITH SUFFICIENT WARNING DEVICES SUCH AS LANTERNS, FLASHERS, OR BARRICADES.
 - c. FOR CASE B, LESS THAN 3 FEET DEEP IN THE VERTICAL PORTION WITH UPPER SIDE SLOPES OF 1:1 OR FLATTER.
 - d. IN AN AREA THAT IS NOT ACCESSIBLE TO THE PUBLIC OR THAT IS MORE THAN 1/2 MILE FROM ANY PLACE OF PUBLIC USE OR HABITATION.
2. COVERS MAY BE:

<ol style="list-style-type: none"> a. 1/4" STEEL PLATES b. 2" PLANKS c. 3/4" PLYWOOD 	}	NON-VEHICULAR TRAFFIC
---	---	-----------------------
3. WHEN STEEL PLATE COVER IS BEING USED FOR VEHICULAR TRAFFIC, IT IS THE CONTRACTOR'S RESPONSIBILITY TO PROVIDE PROPER TRENCH BRACINGS AND STEEL PLATES WITH SUFFICIENT STRENGTH IN COMPLIANCE WITH THE WORK AREA TRAFFIC CONTROL HANDBOOK (WATCH).
4. FOR CASES "A" AND "B", FENCES MAY BE:
 - a. WOOD PICKETS TIED WITH WIRE AND POSTS 6' CC
 - b. 2" x 4" POSTS 8' CC AND WIRE MESH
 - c. 2" x 4" POSTS 8' CC WITH TOP AND BOTTOM RAIL AND CHICKEN WIRE.
 - c. SAME AS NOTE 5 ITEM C.
5. FOR CASE "C", FENCES MAY BE:
 - a. WOOD PICKETS TIED WITH WIRE AND BOTTOM RAIL
 - b. TOP AND BOTTOM RAIL WITH CHICKEN WIRE
 - c. THREE RAILS EQUALLY SPACED WITH BOTTOM RAIL 6" ABOVE GROUND.
6. POST FOR FENCES SHALL BE 2" x 4" WOOD OR EQUIVALENT STEEL OR PIPE. IN PAVED AREAS, POSTS MAY BE FLUSH WITH SURFACE IF SUFFICIENTLY ANCHORED AND BRACED. RAILS SHALL BE 1" x 4" WOOD.

LOS ANGELES COUNTY WATERWORKS DISTRICTS

DEPARTMENT OF PUBLIC WORKS

STANDARD PLAN

W-49

APPROVED

[Signature]
ASSISTANT DEPUTY DIRECTOR

APRIL 2004

DATE

SHEET 1 OF 1